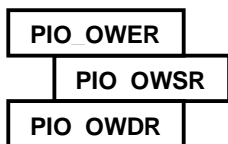
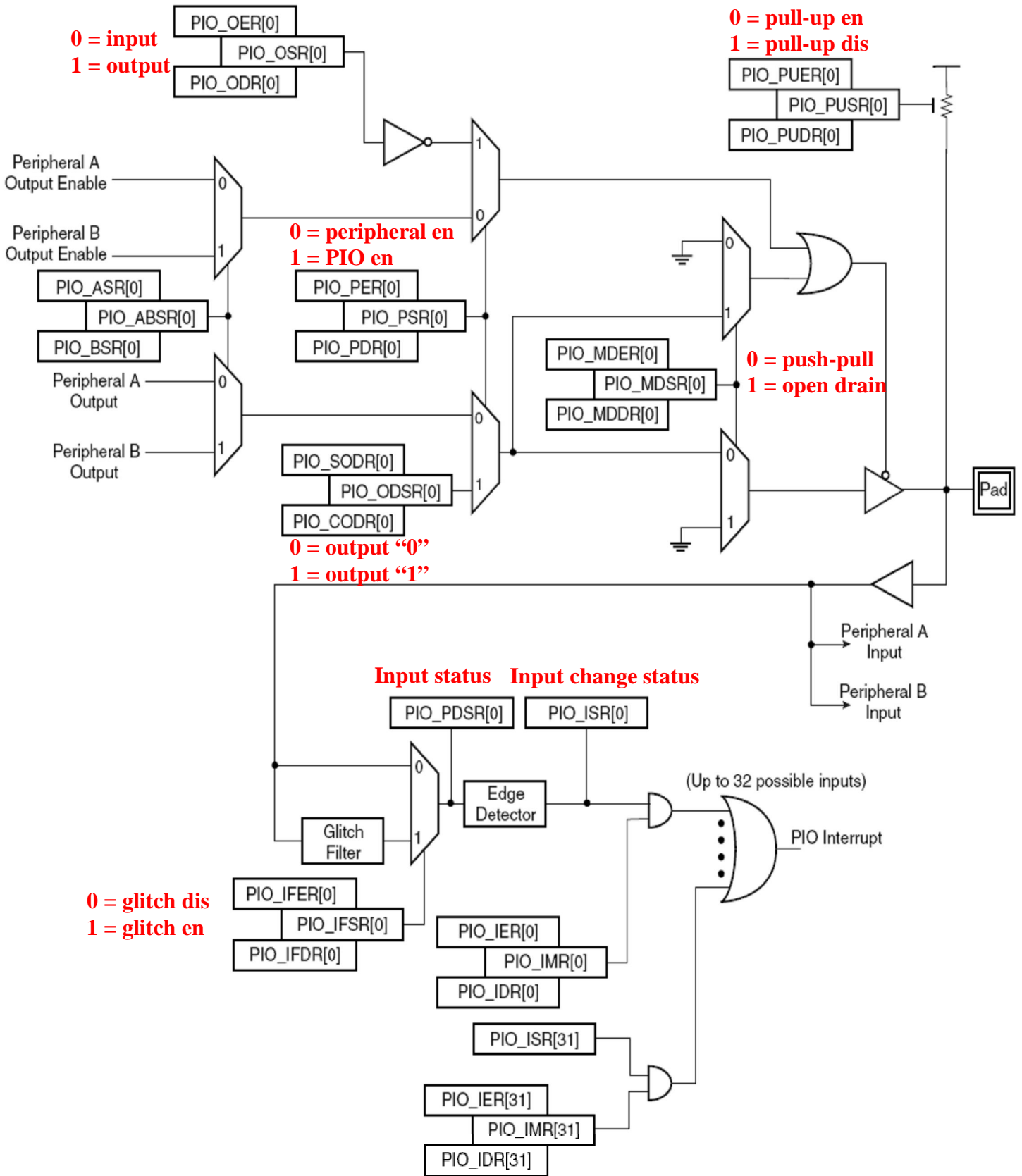


AT91SAM7xx Parallel Input/Output Controller (PIO)



0 = PIO_ODSR should be written only using PIO_SODR and PIO_CODR
1 = PIO_ODSR should be written directly