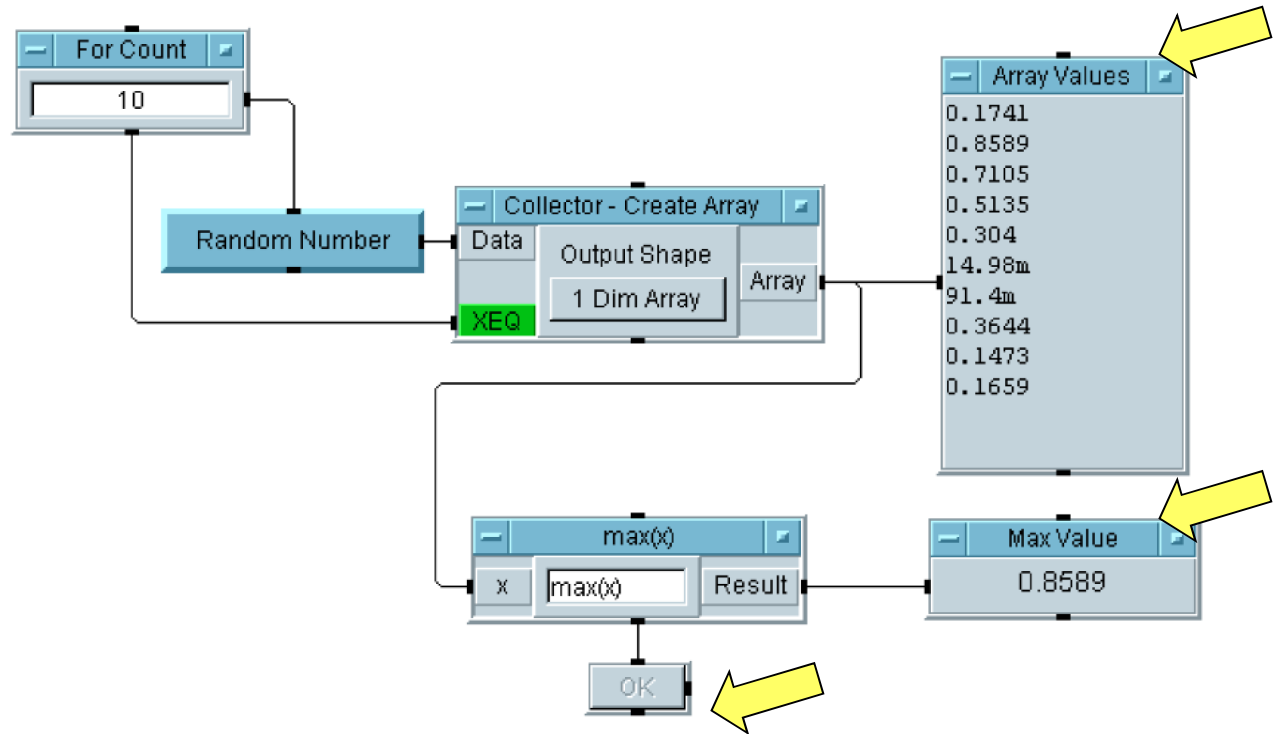
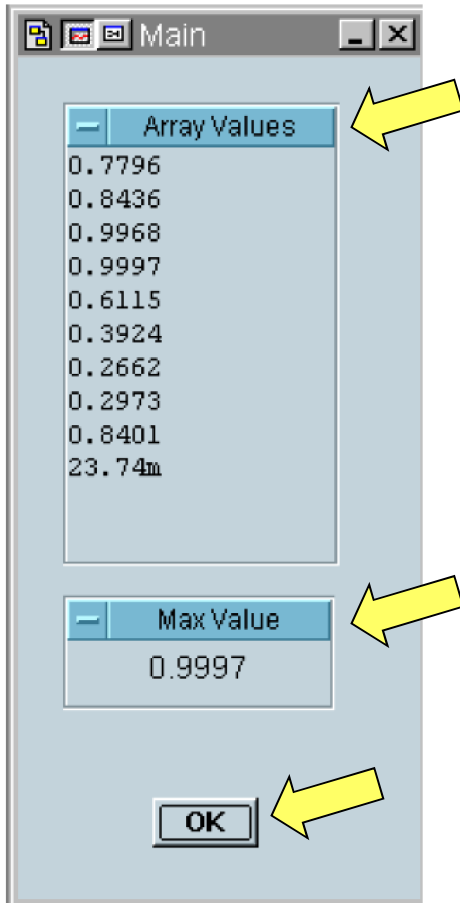


# Agilent VEE

Jako další grafické progr. prostředí

# Příklad programu



# Reprezentace prvků: úplná / minimální, vlastnosti (vzhled)

The image illustrates the 'Function Generator' component in two different views. On the left, the 'Open View' shows a detailed control panel with the following settings:

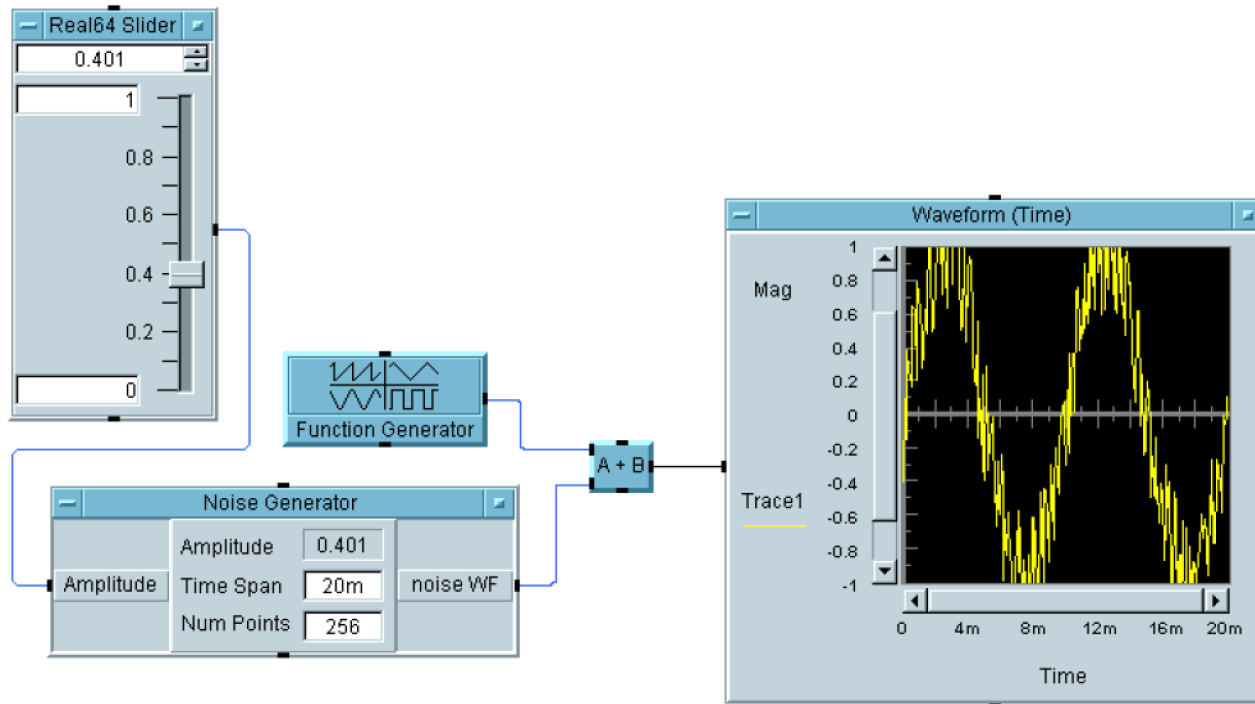
Function	Cosine
Frequency	200
Amplitude	1
DcOffset	0
Phase	Deg 0
Time Span	20m
Num Points	256

On the right, the 'Icon View' shows a simplified representation of the component as a small blue button labeled 'Function Generator'. An arrow points to the minimize button in the top right corner of the 'Open View' window.

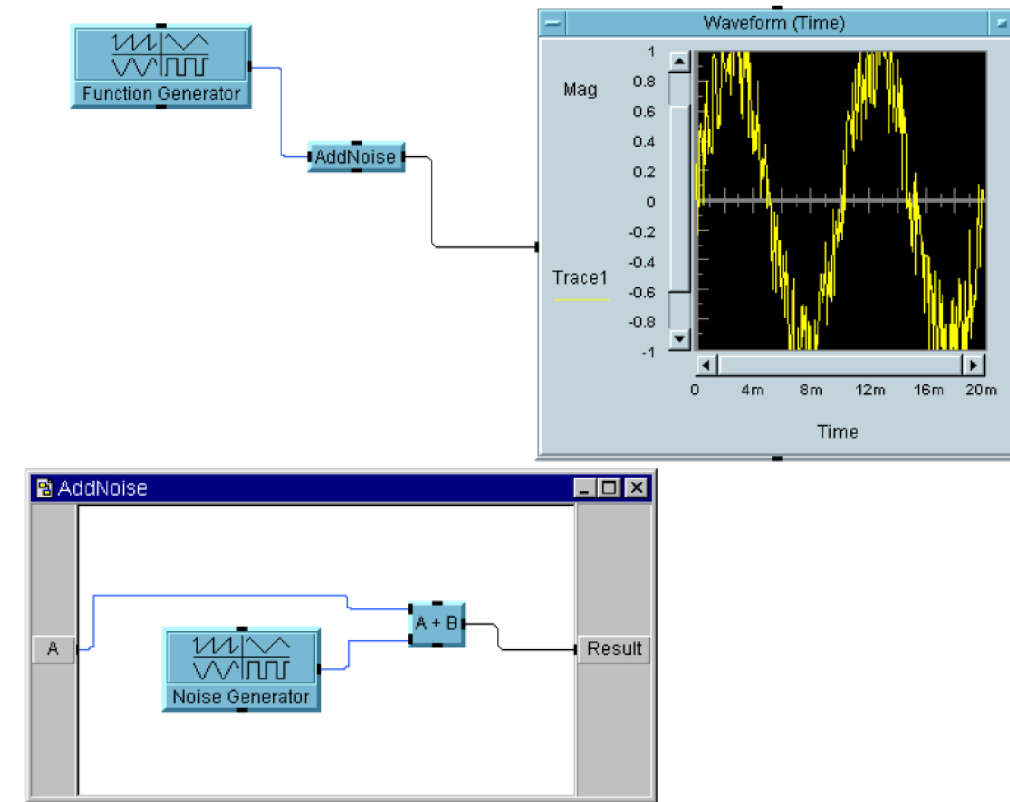
Below the 'Open View' window is a table of its properties:

Appearance	
BackColor	Object
Font	Object Text
ForeColor	Object Text
ShowTerminals	True
ShowTitleBar	True
Title	"Function Generator"
Title BackColor	Object Title
Title Font	Object Title Text
Title ForeColor	Object Title Text
Behavior	
BreakpointEnabled	False
ErrorOnAliasing	True
Icon Appearance	
IconPicture	"virtual.icn", Centered
ShowIconTitle	True

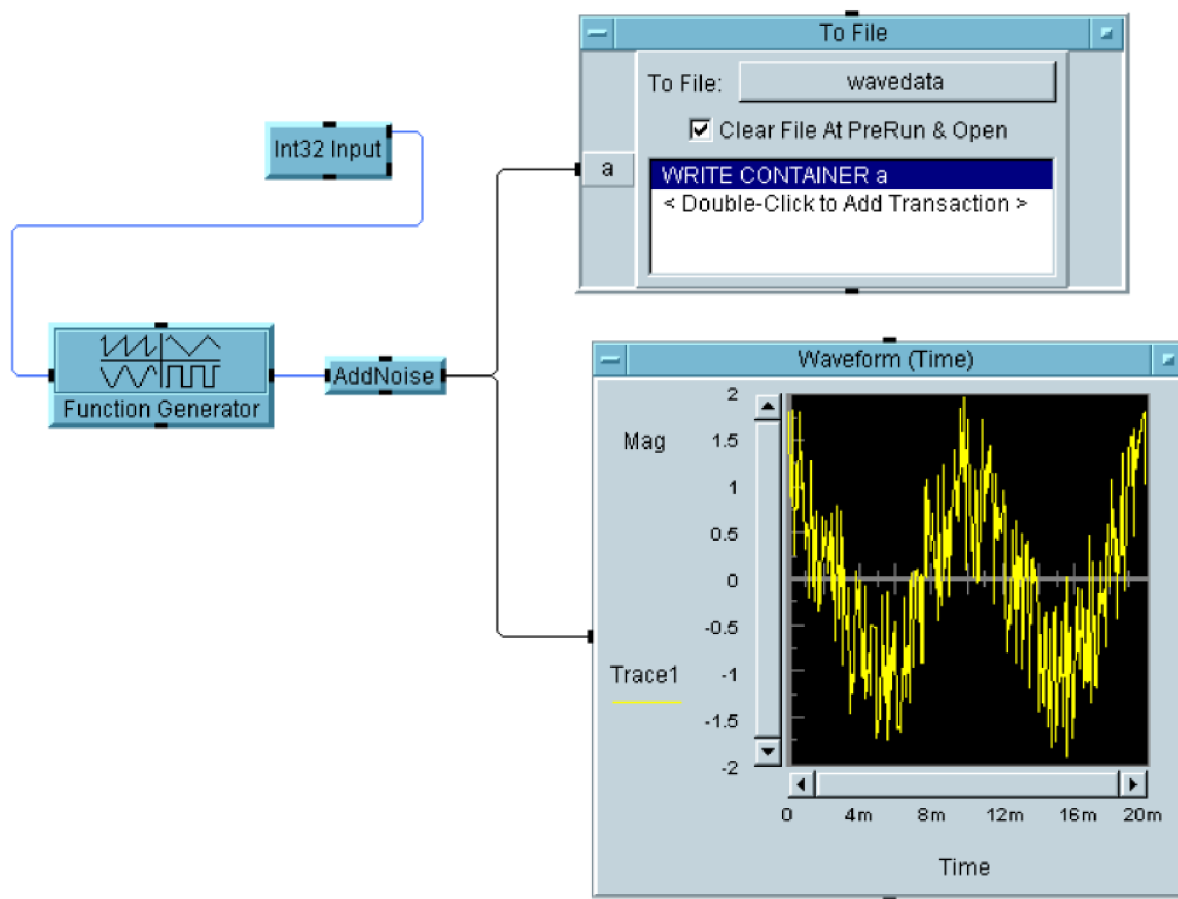
# Grafický výstup



# Podprogram



# Zápis do souboru



# Složitější test s maskou

